

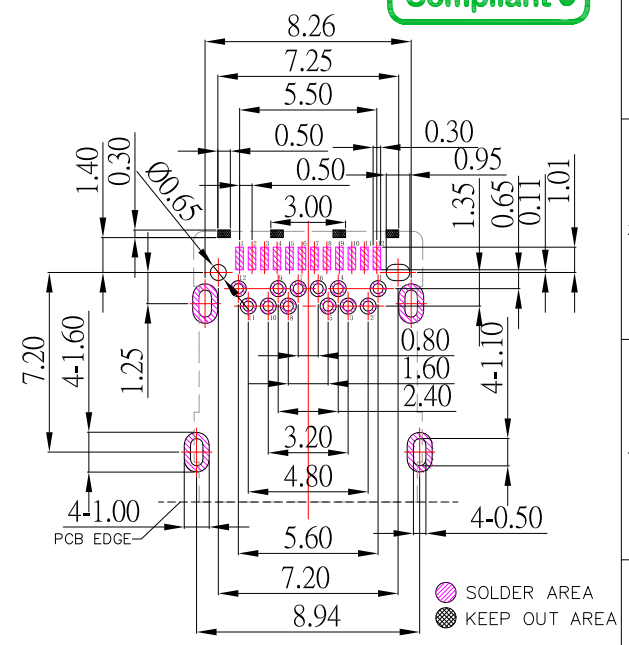
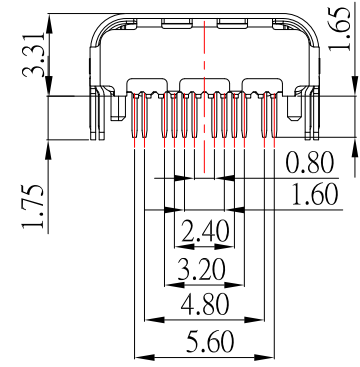
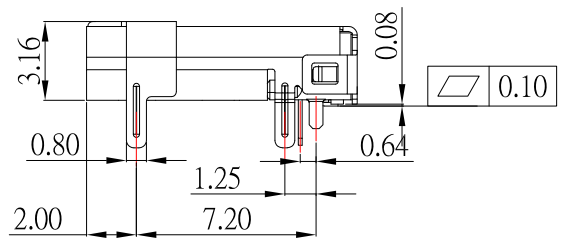
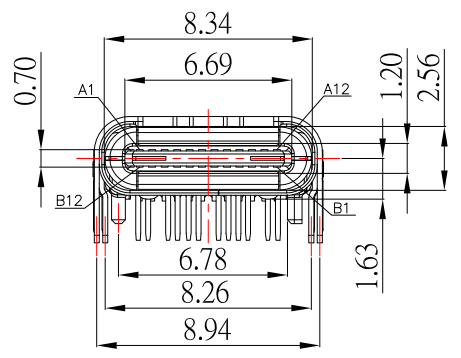
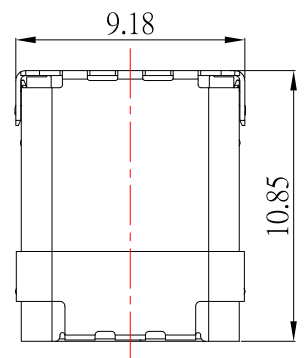


TID:12164

SBC-240S2-31x-S277

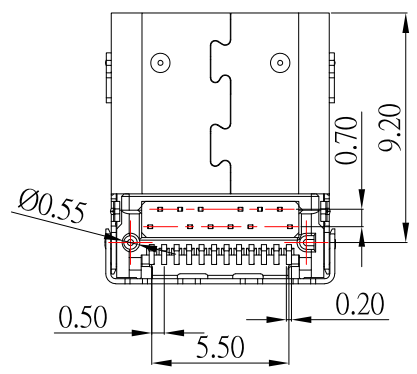
鍍層厚度:

Blank	: 1u"
2	: 15u"
3	: 30u"



P.C.B. LAYOUT

● SOLDER AREA
● KEEP OUT AREA



PIN	SIGNAL NAME	PIN	SIGNAL NAME
A1	GND	B12	GND
A2	TX1+	B11	RX1+
A3	TX1-	B10	RX1-
A4	VBUS	B9	VBUS
A5	CC1	B8	SBU2
A6	D+	B7	D-
A7	D-	B6	D+
A8	SBU1	B5	CC2
A9	VBUS	B4	VBUS
A10	RX2-	B3	TX2-
A11	RX2+	B2	TX2+
A12	GND	B1	GND

SPECIFICATIONS

Electrical:

- Rating: 20V, 5.0 A
- Dielectric Withstand Voltage: 100V AC
- Contact Resistance: 40 mΩ Max
- Insulation Resistance: 100 MΩ Min

Mechanical:

- Connector Mate and Unmate Force
 - Mate force: 5~20 N
 - Unmate force: 8~20 N

MATERIAL

- Housing: LCP
 - Contact: 7025
 - Shell: SUS
- Finish:
- Contact: Plated Gold in Mating Area ;
Tin Plated on Solder Balls ;
Nickel under plated overall
 - Shell: Nickel under Plated surface layer

ITEM NO.	DESCRIPTION	DRAWN	DATE
3	更新PCB LAYOUT	Jack	06/24/26
2	更新Rating	Jack	06/17/26
1	新增TID號碼	Jack	05/13/26

CONTACT 建倚科技股份有限公司
CONTACT TECHNOLOGY CORP.

TOLERANCE UNLESS OTHERWISE STATED :

Up to 5	±0.2
Above 5 ~ 15	±0.3
Above 15 ~ 30	±0.4
Above 30 ~ 50	±0.5
Angle	±0.3°

3RD. ANGEL'S

UNITS MM

DRAWN BY:	DATE	MAT'L	TITLE	CONNECTOR
Jack Lu	06/24/26			
CHECKED BY:	DATE	FINISH	MODLE	SIZE
Jacky Chen	06/24/26		USB 3.1 TYPE C 母座板上 L10.8 排距0.7 SMT腳+PIN腳長1.65	A4
APPROVED BY:	DATE	SCALE	DWG NO.	VER
Tony Kao	06/24/26	1 : 1	SBC-240S2-31x-S277	R3
SHEET NO.	1 of 1	PART NO.	SBC-240S2-31x-S277	